

Illustrated of Draftings First Edition: A Timeless Masterpiece for Architects, Engineers, and Artists



The “Haslam System” of Dresscutting Drafting and Tailoring: Illustrated Book of Draftings First Edition

by Samantha Grenier

★★★★★ 5 out of 5

Language : English

File size : 162882 KB

Text-to-Speech : Enabled

Screen Reader : Supported

Enhanced typesetting : Enabled

Print length : 524 pages

Lending : Enabled



Embark on a Journey Through the Art of Drafting

Welcome to the remarkable world of drafting, where precision meets artistry. The Illustrated of Draftings First Edition is an invaluable guide for architects, engineers, and artists seeking to master the techniques of technical drawing. This extraordinary book, published in 1911, showcases the fundamental principles of drafting through a series of meticulously crafted illustrations.

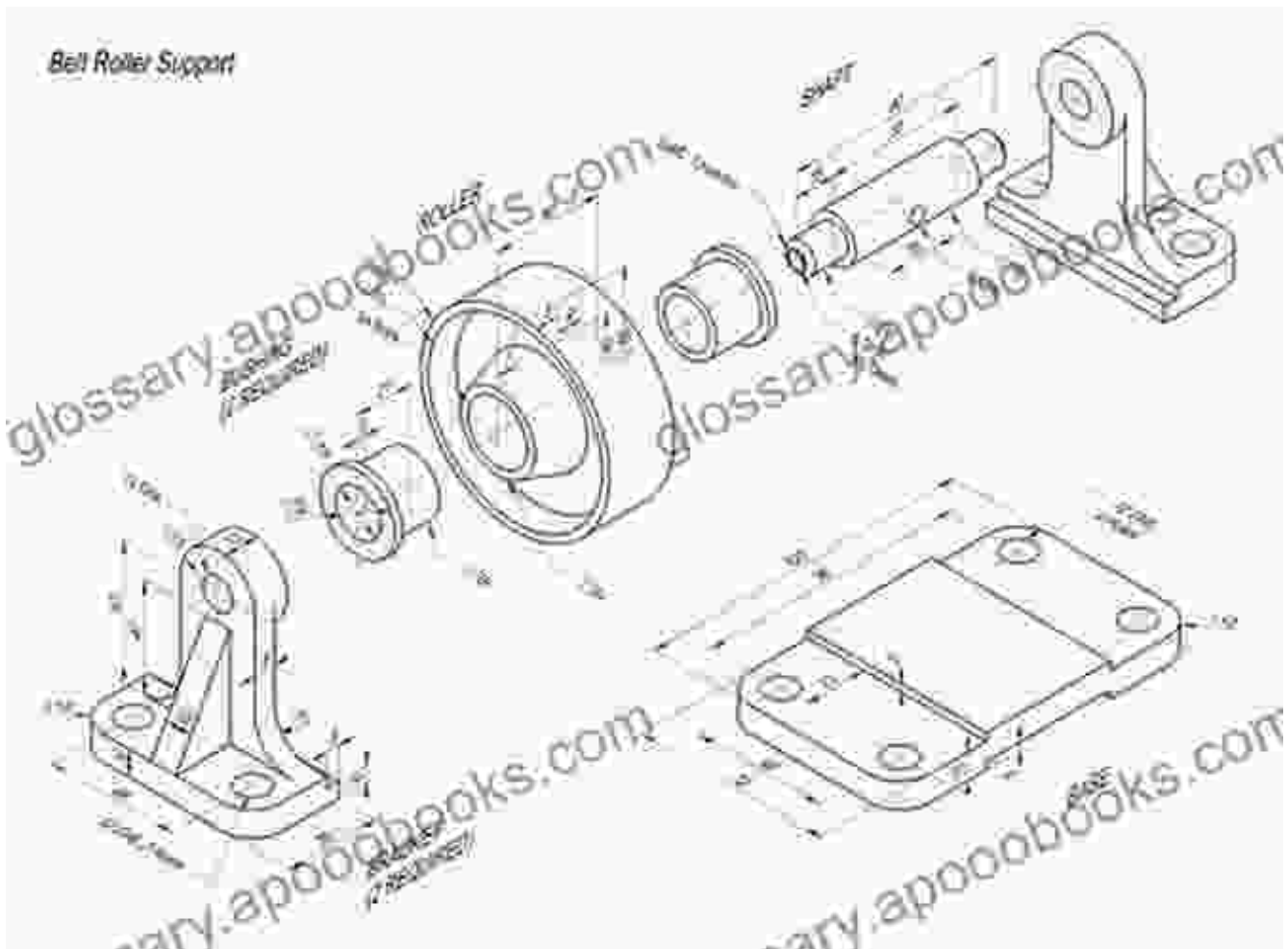


Unravel the Secrets of Architectural Drafting

Within the pages of Illustrated of Draftings First Edition, you will embark on a comprehensive exploration of architectural drafting. From the basics of linework and perspective to the advanced techniques of plan and elevation drawings, this book provides a solid foundation for understanding the language of architectural design. Immerse yourself in a world of floor plans, elevations, cross sections, and details, all meticulously illustrated to guide you through every step of the drafting process.

Master the Intricacies of Mechanical Drafting

Not only does this exceptional book cater to architects, but it also serves as an indispensable resource for engineers in the field of mechanical drafting. Delve into the world of machine design and learn the techniques for creating accurate and functional drawings of mechanical components. Illustrated of Draftings First Edition covers a wide range of topics, from gears and pulleys to bolts and nuts, ensuring that you gain a comprehensive understanding of mechanical drafting principles.



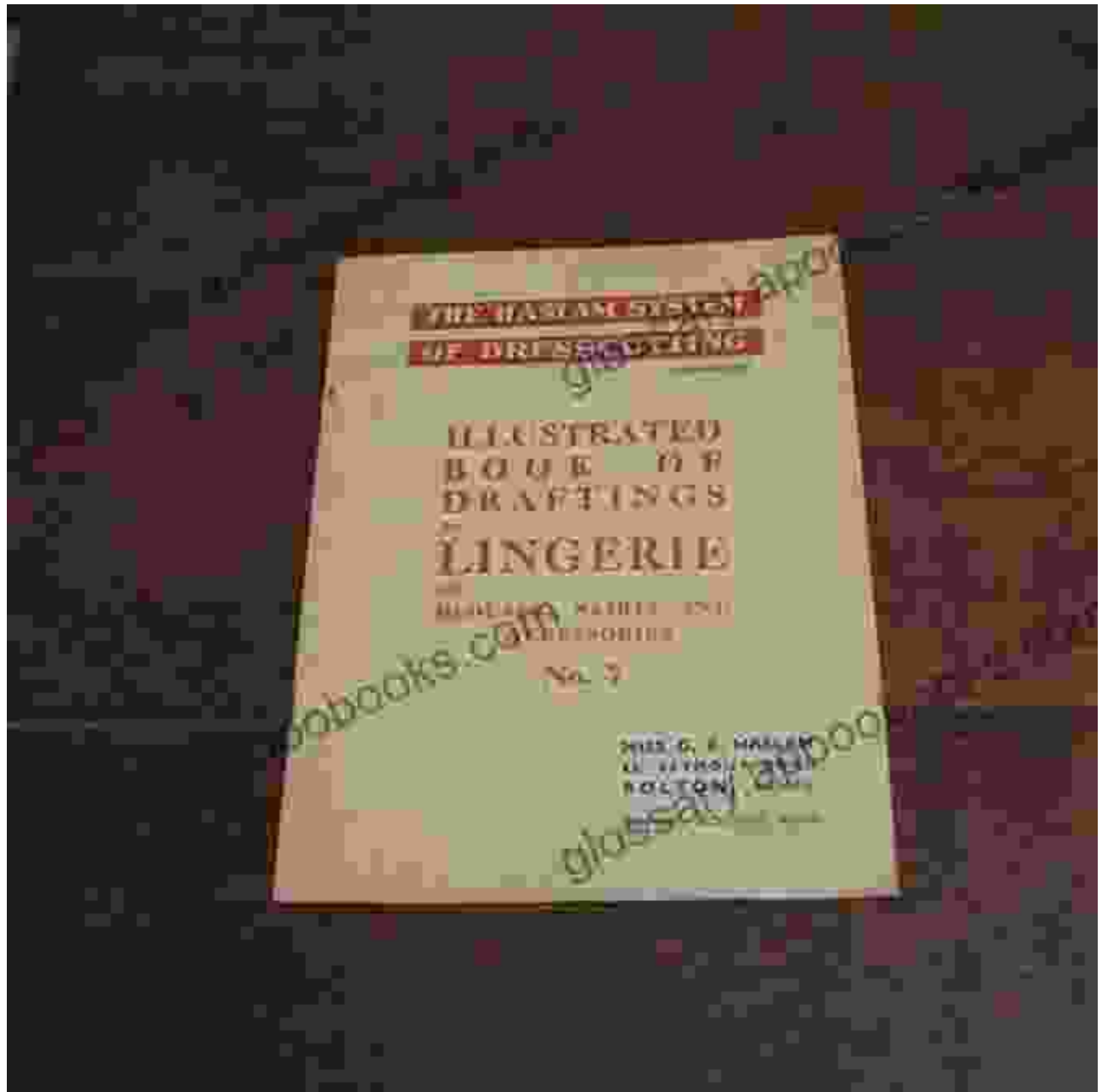
Unleash your creativity and precision as you navigate the intricacies of mechanical drafting with expert guidance.

Experience the Beauty of Technical Drawing

Beyond its practical applications, Illustrated of Draftings First Edition is a testament to the beauty of technical drawing. Each illustration is a work of art, showcasing the precision, clarity, and elegance that define the craft. As you turn the pages, you will not only acquire technical knowledge but also cultivate an appreciation for the aesthetics of technical drawing.

A Collector's Item for Enthusiasts

Published over a century ago, the Illustrated of Draftings First Edition has become a highly sought-after collector's item. Its historical significance, coupled with its exceptional illustrations, makes this book a must-have for enthusiasts of drafting and architectural history. Whether you are an aspiring draftsman, an avid collector, or simply appreciate the beauty of technical drawing, this rare and valuable book deserves a place in your library.



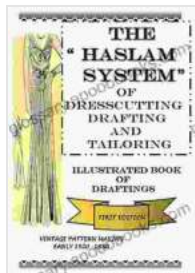
Free Download Your Copy Today and Enrich Your Journey in Drafting

Do not miss out on the opportunity to own this exceptional masterpiece. Free Download your copy of Illustrated of Draftings First Edition today and embark on a journey of discovery through the fascinating world of drafting. Whether you are an experienced professional or a budding enthusiast, this

book will serve as an invaluable resource and a cherished addition to your collection.

Free Download Now

Copyright © Illustrated of Draftings First Edition. All rights reserved.



The “Haslam System” of Dresscutting Drafting and Tailoring: Illustrated Book of Draftings First Edition

by Samantha Grenier

★★★★★ 5 out of 5

Language : English

File size : 162882 KB

Text-to-Speech : Enabled

Screen Reader : Supported

Enhanced typesetting : Enabled

Print length : 524 pages

Lending : Enabled



Collection Of Handcrafted Plants For The Blackest Of Thumbs

Do you have a black thumb? Don't worry, you're not alone. Millions of people around the world struggle to keep plants alive. But that doesn't mean you...



Classic Racing Mystery From The King Of Crime

Agatha Christie, the undisputed Queen of Crime, has crafted yet another captivating tale of murder, mystery, and intrigue in her latest novel, The...